



FALCON SHOCKS

JEEP JT GLADIATOR SERIES 1.1 MONOTUBE SHOCKS

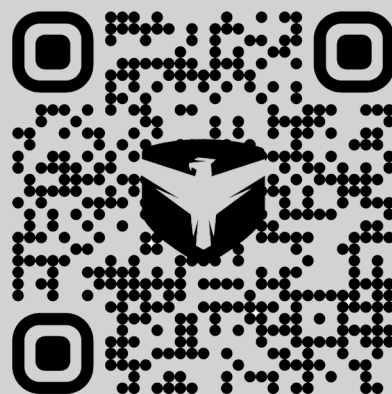
QUICK START GUIDE

Every aspect of vehicle dynamics must be considered in developing a properly engineered suspension system to ensure predictable handling and a smooth ride. This includes correct suspension geometry as well as properly matching the shock's compression and rebound to the spring rate.

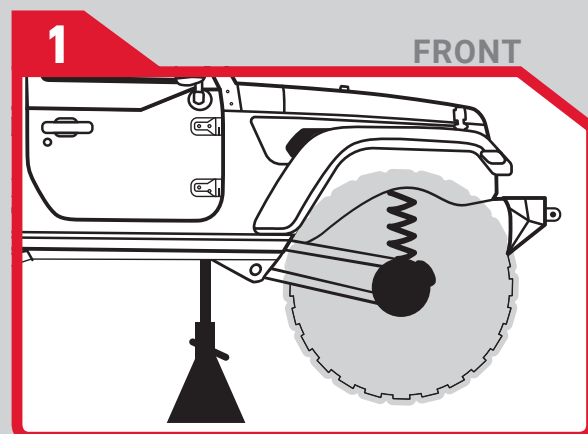
Falcon Shocks went back to the drawing board to engineer brand-new shock absorber systems that are properly matched to the factory spring rate resulting in a sportier ride with better control and handling without sacrificing ride quality. Our in-house engineering experts have invested hundreds of hours in dyno verified – as well as real world on and off-road driving – shock tuning to deliver optimal results. Results that can be felt in a “seat-of-the-pants” drive.

All Falcon Shocks are designed, engineered, and built with state-of-the-art methods including CAD designs, finite element analysis (FEA), in-house lab simulation, and real-world street and trail testing.

Scan For Video Instructions

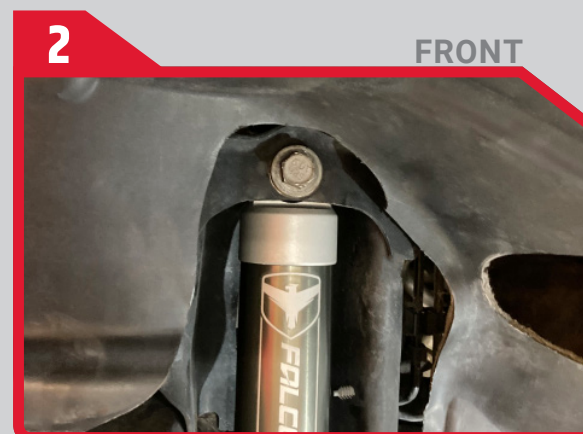


<https://www.falconshocks.com/videos>



INSTALL PREP:

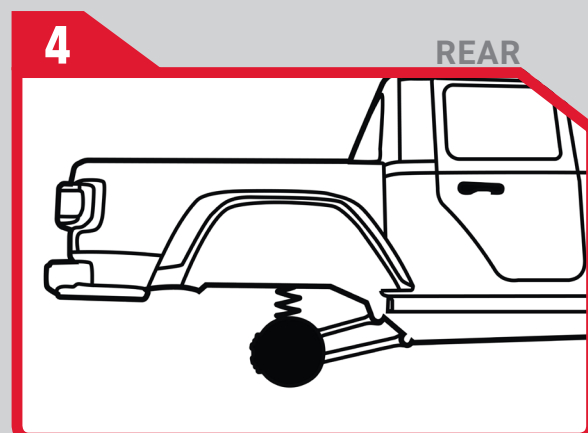
- **MOJAVE ONLY: Bushing Replacement Kit (61-99-01-001) is required before installing these shocks.**
- **All factory hardware will be reused.**
- **Remove the front shocks.** (refer to the factory service manual)
- **Removal of the tire is optional.**



- **Install the upper shock eyelets (Long side of the eyelet sleeve faces towards center of vehicle).**
- **Refer to the Factory Service Manual for torque specifications.**



- **Install the lower shock eyelets.**
- **Refer to the Factory Service Manual for torque specifications.**

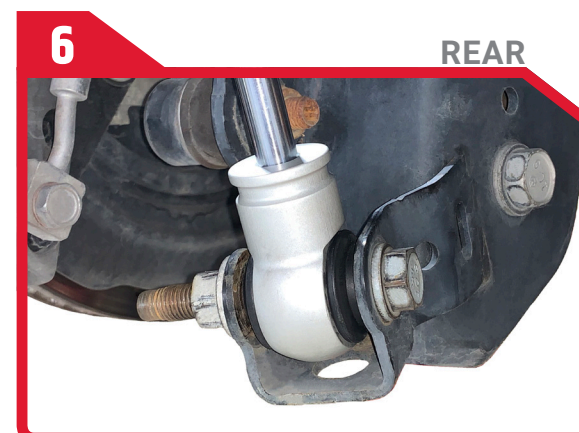


INSTALL PREP:

- **Remove the rear shocks (refer to the factory service manual).**
- **Removal of the rear tires is optional.**



- **Install the upper shock eyelets with the Falcon logo facing away from vehicle.**
- **Refer to the Factory Service Manual for torque specifications.**



- **Install the lower shock eyelets.**
- **Refer to the Factory Service Manual for torque specifications.**

NOTES



RED LINE FULL SYNTHETIC OIL HAS A HIGH VISCOSITY INDEX OF 540 FOR SUPERIOR ALL-WEATHER PERFORMANCE.



HAND WASH WITH SOAP AND WATER FOR CLEANING. DO NOT CLEAN WITH ACIDS.



3 YEAR WARRANTY TO BE FREE OF DEFECTS AND WORKMANSHIP. REPAIR OR REPLACE AT NO COST.