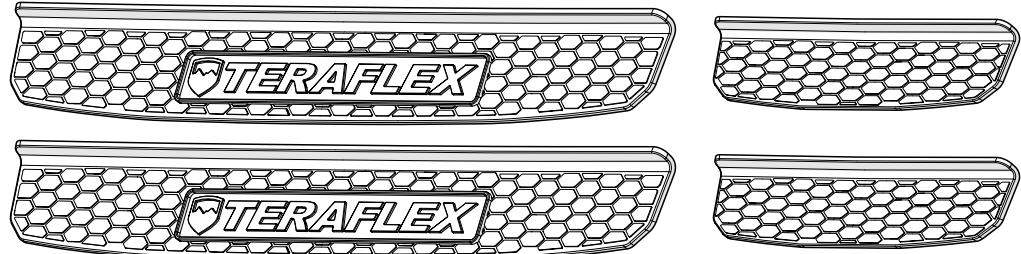




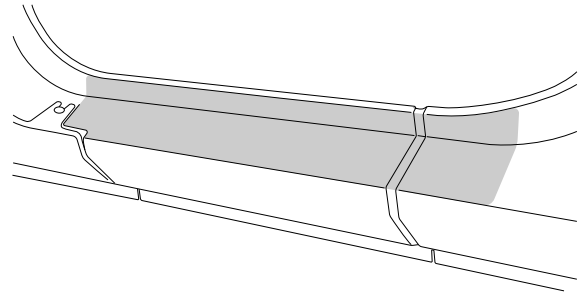
JL/JT Front and Rear Door Sill Protectors

www.TERAFLEX.com

1436900

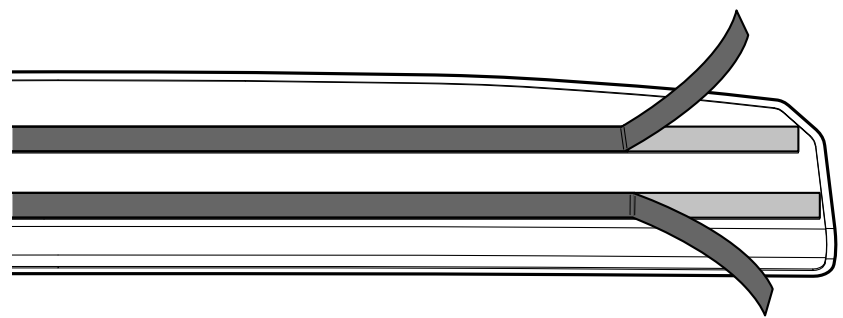


**CLEAN THE FRONT DOOR SILL AREA WITH ALCOHOL AND PAPER TOWELS
SET THE SILL PROTECTOR ON TO SILL TO CHECK PLACEMENT**



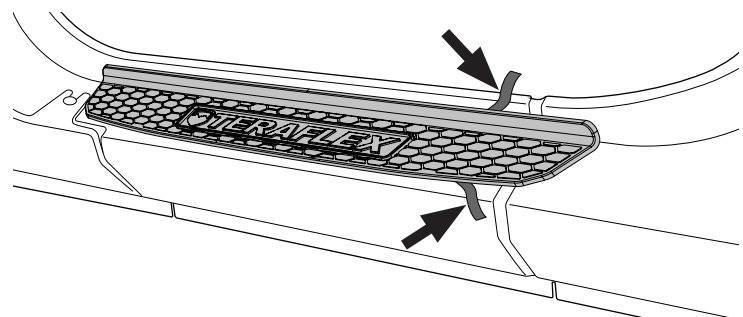
1

PEEL A FEW INCHES OF COVER OFF OF THE ADHESIVE STRIPS



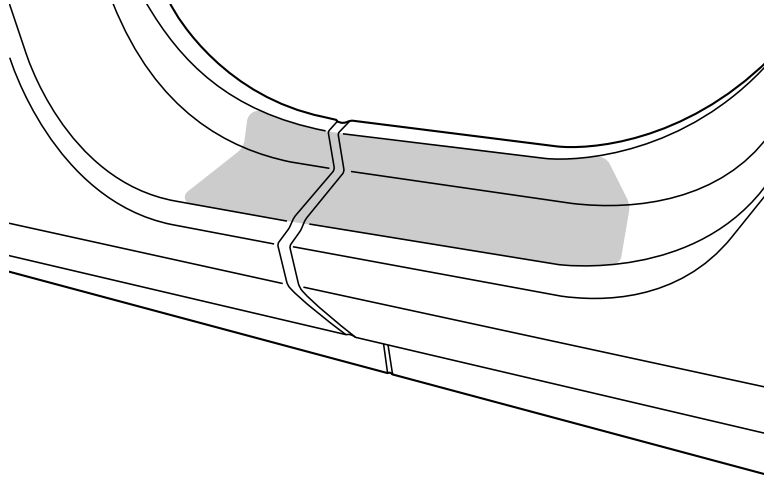
2

**SET THE SILL PROTECTOR IN PLACE AND WHILE HOLDING THE PROTECTOR IN PLACE
PEEL THE REST OF THE COVER OFF OF THE ADHESIVE STRIPS**



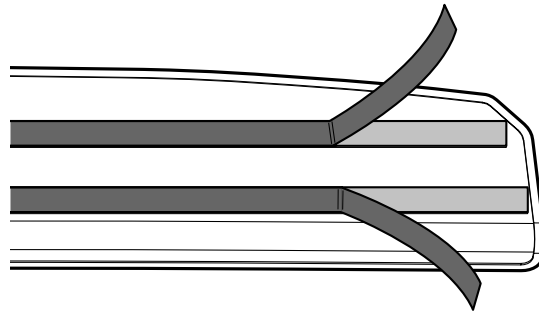
3

**CLEAN THE REAR DOOR SILL AREA WITH ALCOHOL AND PAPER TOWELS
SET THE SILL PROTECTOR ON TO SILL TO CHECK PLACEMENT**



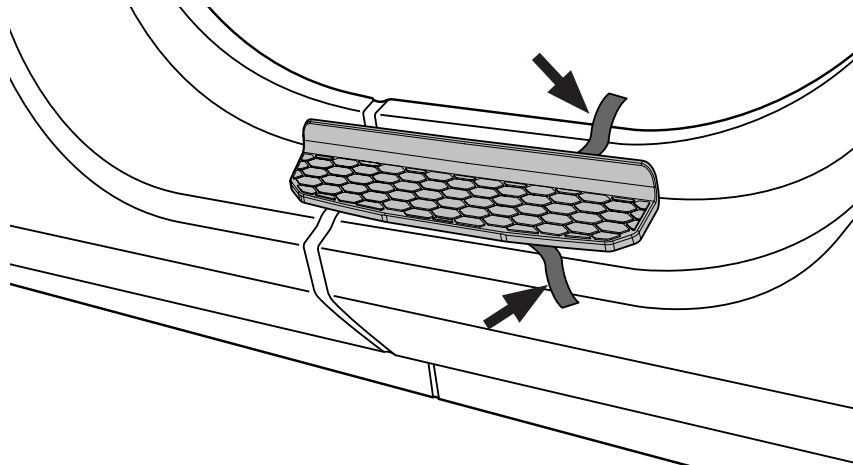
4

PEEL A FEW INCHES OF COVER OFF OF THE ADHESIVE STRIPS



5

**SET THE SILL PROTECTOR IN PLACE AND WHILE HOLDING THE PROTECTOR IN PLACE
PEEL THE REST OF THE COVER OFF OF THE ADHESIVE STRIPS**



6