



# FALCON SHOCKS

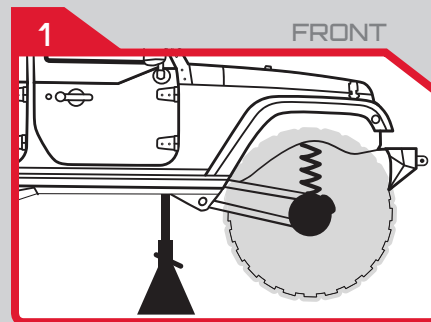
JEEP JL MONOTUBE

## QUICK START GUIDE

Every aspect of vehicle dynamics must be considered in developing a properly engineered suspension system to ensure predictable handling and a smooth ride. This includes correct suspension geometry as well as properly matching the shock's compression and rebound to the spring rate.

Falcon Shocks went back to the drawing board to engineer brand-new shock absorber systems that are properly matched to the factory spring rate resulting in a sportier ride with better control and handling without sacrificing ride quality. Our in-house engineering experts have invested hundreds of hours in dyno verified – as well as real world on and off-road driving – shock tuning to deliver optimal results. Results that can be felt in a "seat-of-the-pants" drive.

All Falcon Shocks are designed, engineered, and built with state-of-the-art methods including CAD designs, finite element analysis (FEA), in-house lab simulation, and real-world street and trail testing.



- 1** FRONT
- INSTALL PREP:**
- Remove front shocks (refer to factory service manual)
  - Removal of tire is optional



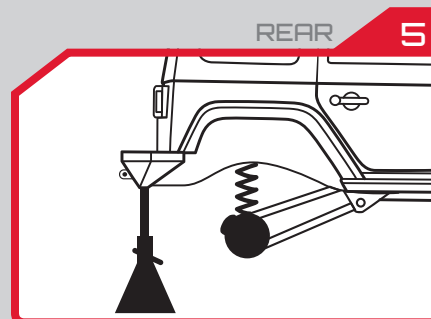
- 2** FRONT
- Install Falcon front shocks with shaft down



- 3** FRONT
- Orient offset eyelet sleeve with spacer facing inward for maximum frame clearance
  - Torque upper bolt to 56 ft-lb



- 4** FRONT
- Torque lower bolt to 56 ft-lb



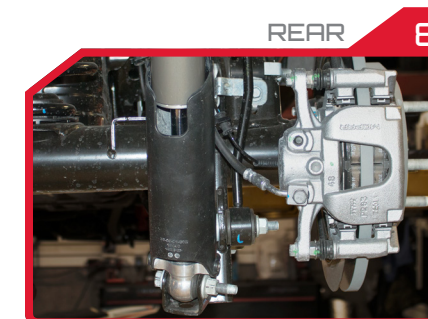
- 5** REAR
- INSTALL PREP:**
- Remove rear shocks (refer to factory service manual)



- 6** REAR
- Install rear shocks with shaft down



- 7** REAR
- Orient offset eyelet sleeve with spacer facing inward for maximum frame clearance
  - Torque upper bolt to 56 lb-ft



- 8** REAR
- Rotate shaft until lettering on roost guard faces forward
  - Torque lower bolt to 56 lb-ft

### NOTES



RED LINE FULL SYNTHETIC OIL HAS A HIGH VISCOSITY INDEX OF 540 FOR SUPERIOR ALL-WEATHER PERFORMANCE.



HAND WASH WITH SOAP AND WATER FOR CLEANING. DO NOT CLEAN WITH ACIDS.



3 YEAR WARRANTY TO BE FREE OF DEFECTS AND WORKMANSHIP. REPAIR OR REPLACE AT NO COST.